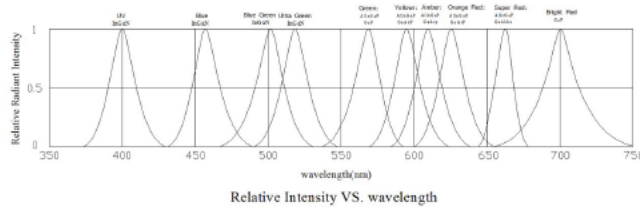
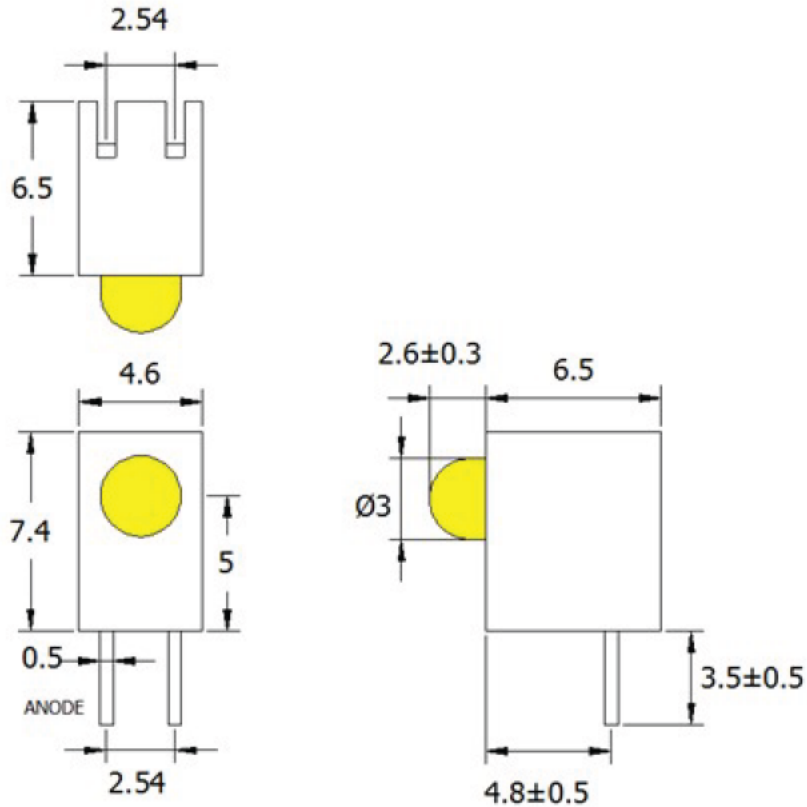


PACKAGE SIZE: 3.0mm Round Type With Housing

DICE MATERIAL: GaAsP on GaP PEAK WAVE LENGTH(nm) 587

EMITTED COLOR: Yellow VIEWING ANGLE (deg): 50

LENS COLOR: Yellow Diffused IV(mcd): 5



ELECTRICAL/ OPTICAL CHARACTERISTICS AT Ta = 25°C

PARAMETER	SYMBOL	MIN	TYP	MAX	UNIT	TEST
Luminous Intensity	IV	3	5	10	mcd	IF = 2mA
Viewing Angle	2θ1/2		50		deg	
Peak Emission Wavelength	λ p		587		nm	
Dominant Wavelength	λ D	585	590	595	nm	
Spectral Line Half-Width	Δλ		35		nm	
Forward Voltage	VF	1.6	1.9	2.2	V	
Power Dissipation	Pd			45	mW	
Peak Forward Current (Duty 1/10 @ 1KHZ)	IF (Peak)			50	mA	
Recommended Operating Current	IF (Rec)		2	20	mA	

• **ABSOLUTE MAXIMUM RATINGS : (Ta = 25°C)**

Reverse Voltage	: 5 Volt
Reverse Current	: 10 <u>uA</u> (VR=5V)
Operating Temperature Range	: -40°C TO 85°C
Storage Temperature Range	: -40°C TO 100°C
Lead Soldering Temperature Range	: 260°C For 5 Seconds
	【1.6 mm (1/16 inch) from body】

DIMENSIONS ARE IN MILLIMETERS
TOLERANCE

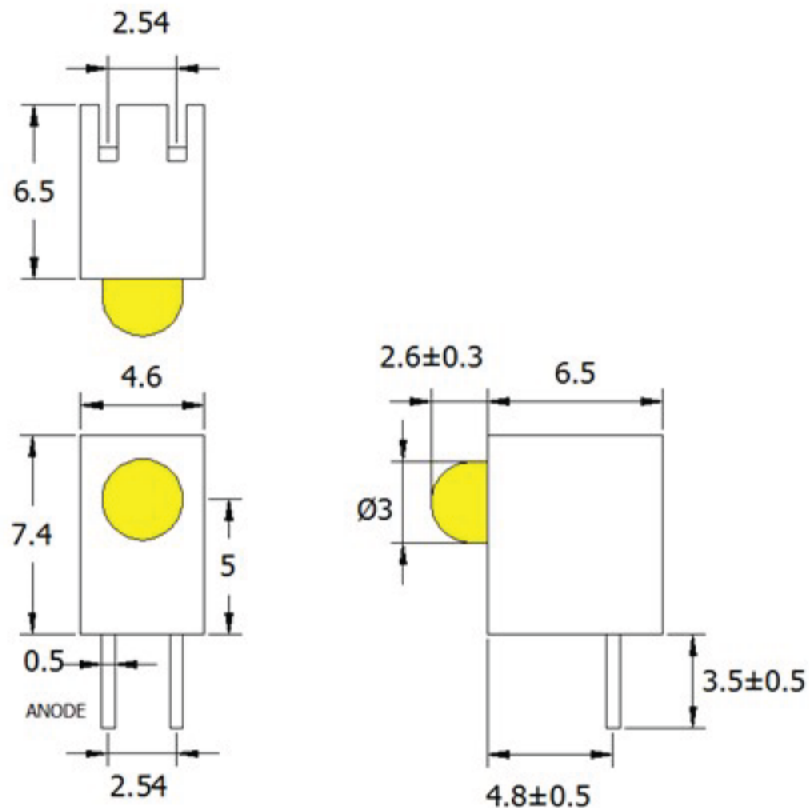
· × ±0.5	ANGLE ±3°	SCALE
· × × ±0.1		REV A-1
· × × × ±0.05		
DRAWN Walter	DATE 10.09.23	
APPROVAL	DATE	

SCHMID-M

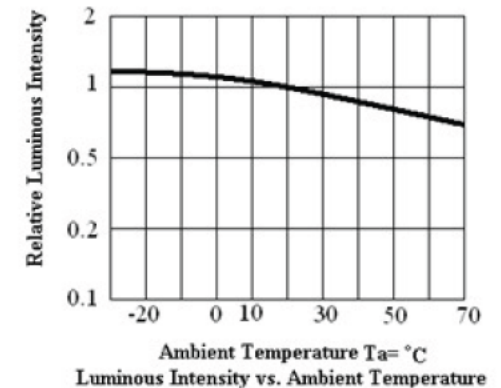
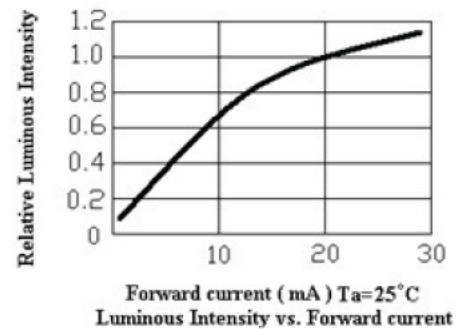
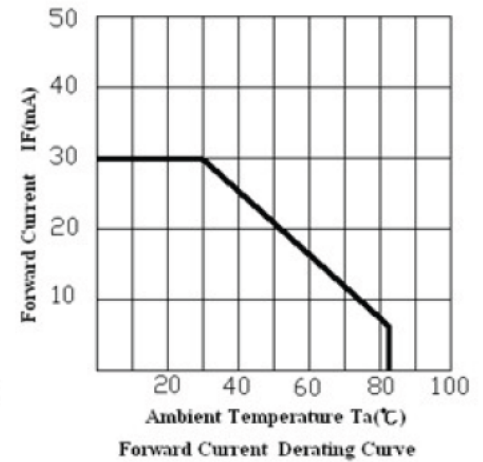
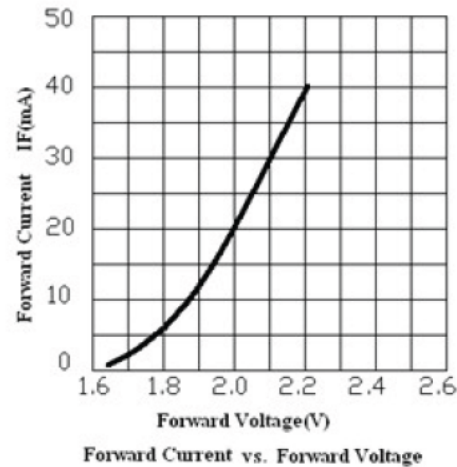
TITLE SM LED L514HYD-2MA

DRAWING NO

FILE NO 3mm Round Type Flangeless and Housing

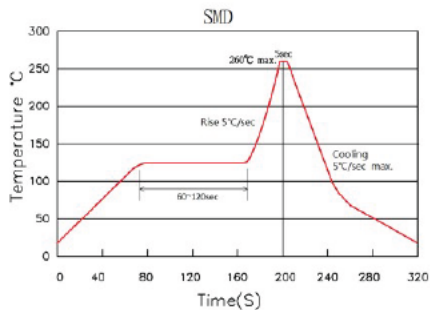


Yellow (GaAsP/GaP λP=587nm)



Soldering Iron Temperature at tip of iron : 350°C Max.
 Soldering Time: 3 sec. ± 1 sec. (one time only)
 If temperature is higher, time should be shorter

● Reflow Temp./Time(SMD)



DIMENSIONS ARE IN MILLIMETERS TOLERANCE		SCHMID-M	
· × ±0.5	ANGLE ±3°	SCALE	TITLE SM LED L514HYD-2MA
· × × ±0.1		REV A-1	DRAWING NO
· × × × ±0.05	DRAWN Walter	DATE 10.09.23	FILE NO 3mm Round Type Flangeless and Housing
APPROVAL	DATE		